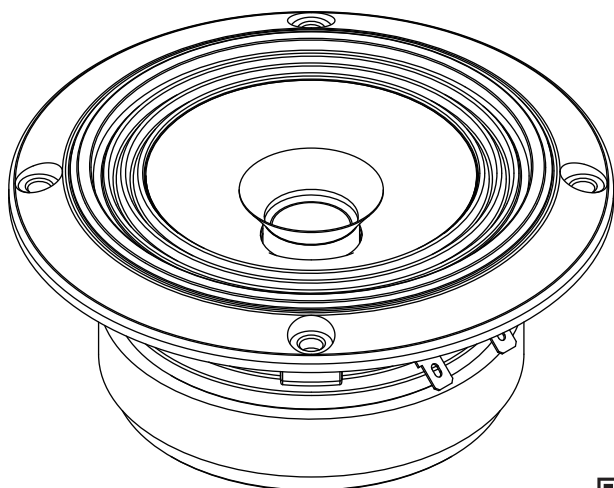


**Fostex**

# FE108NS

10cm Fullrange speaker



Specification Sheet

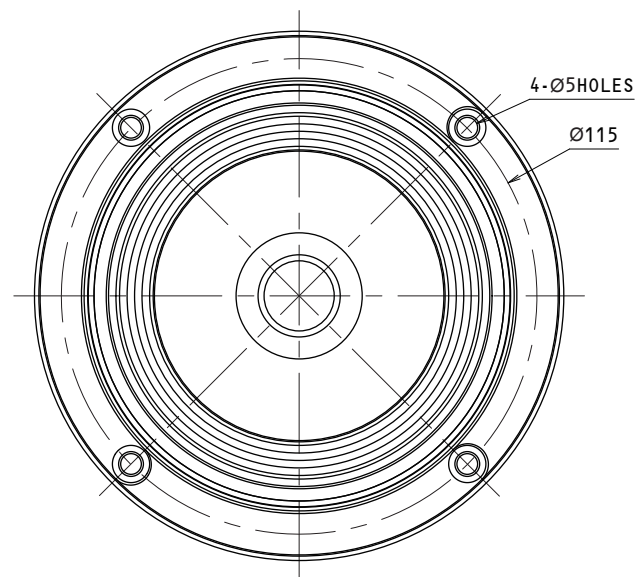
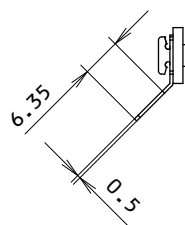
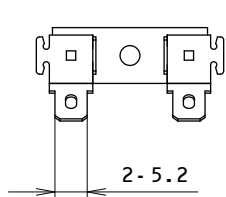
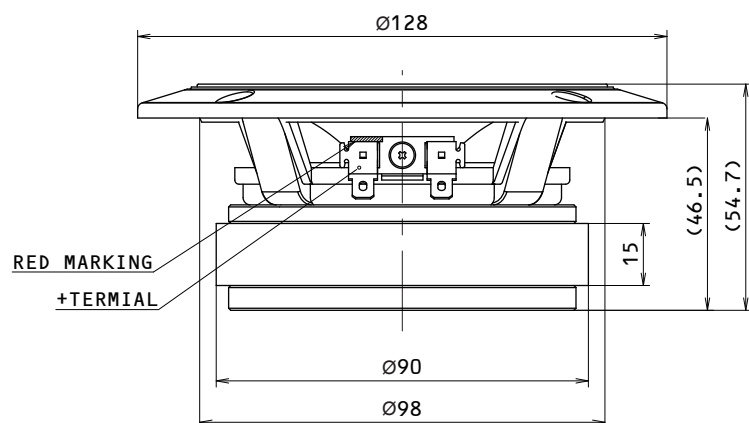


**Fostex**

[www.fostex.jp/products/fe108ns](http://www.fostex.jp/products/fe108ns)

In accordance with our policy of continuous development, we reserve the right to change specifications without notice Printed in China 642867

## Dimensions / Polarity



## Standard Accessories

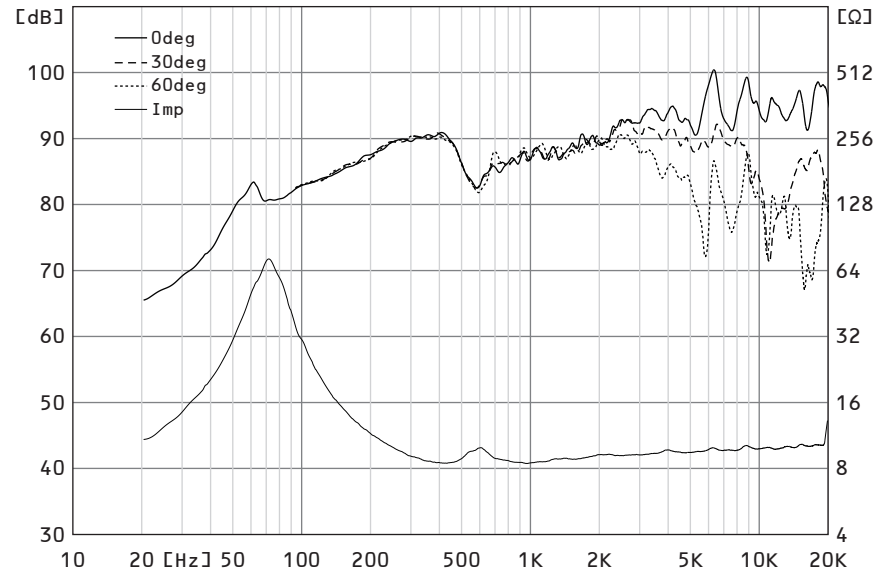
Speaker unit : 1pc	Specification sheet : 1pc
Screw : 4pcs	Application sheet : 1pc
Washer : 4pcs	Safety precautions : 1pc
Spacer : 1pc	

# Specifications & Thiele / Small Parameters

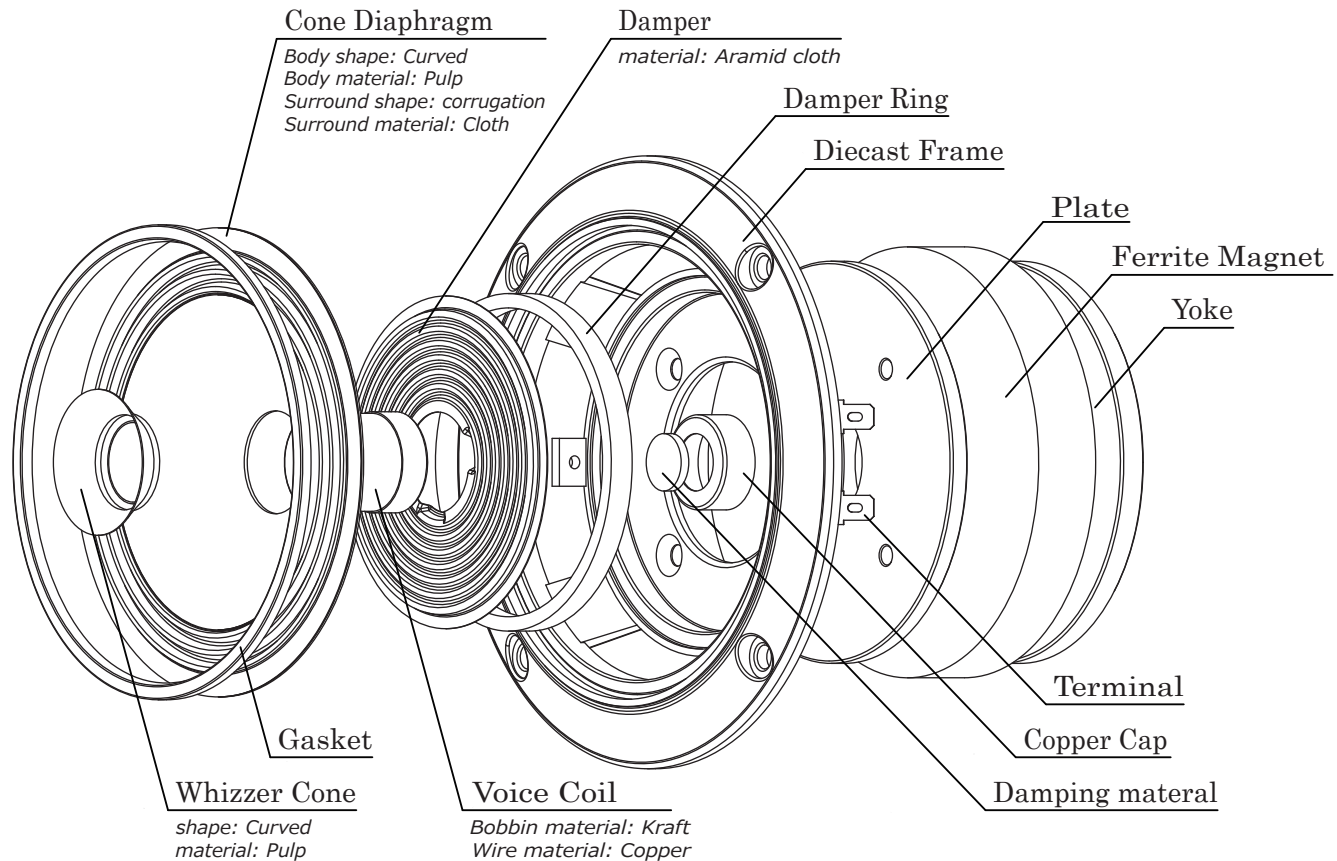
Electrical Parameters	Nominal Impedance	8.0	ohm
	Re	7.4	ohm
	Le	0.03	mH
	fs (F0)	75	Hz
Mechanical Parameters	Mms (M0)	2.66	g
	Cms	1.69	mm/N
	Bl	5.13	N/A
Loss Factors	Qms	3.11	-
	Qes	0.35	-
	Qts (Q0)	0.32	-
Other Parameters	SPL (1m/1W)	87	dB
	Equivalent Diaphragm Radius ( a )	39.5	mm
	Rated Input	15	W
	Max Input	-	W
	Overall Diameter	Φ128	mm
	Voice Coil Diameter	20	mm
	Reproduction Frequency Response	fs to 20k	Hz
	Vas	5.73	L
	Baffle Hole Diameter	Φ100	mm

# Frequency Response

FOSTER Electric Co.,Ltd semi-anechoic chamber  
1/24th oct smoothing / Input 2.83V(1W) / mic distance 1m

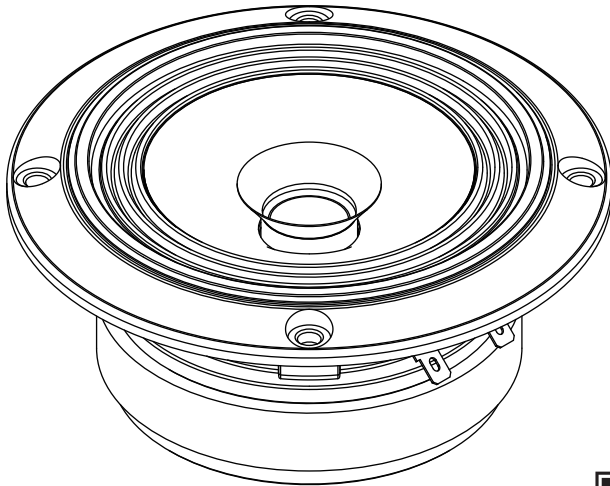


# Components



# FE108NS

10cm Fullrange speaker



Application Sheet

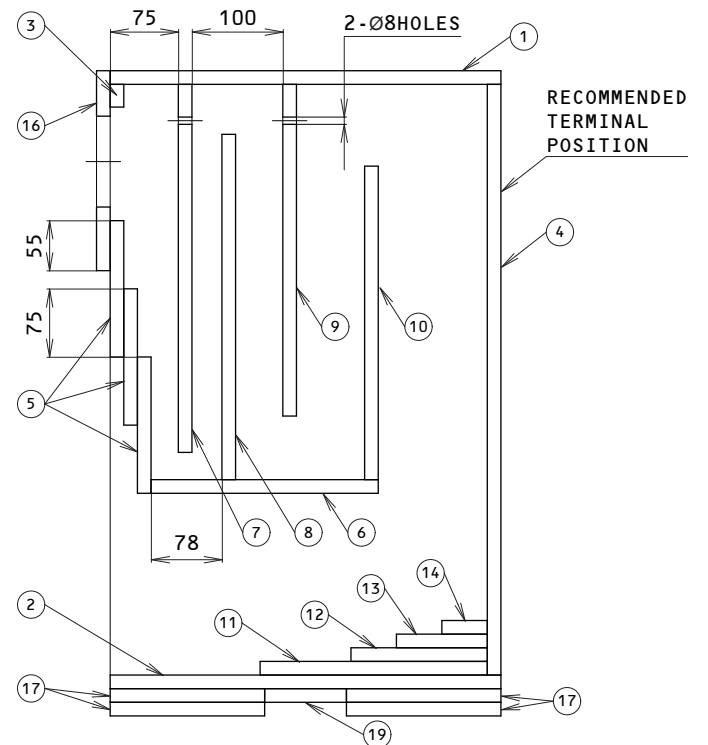
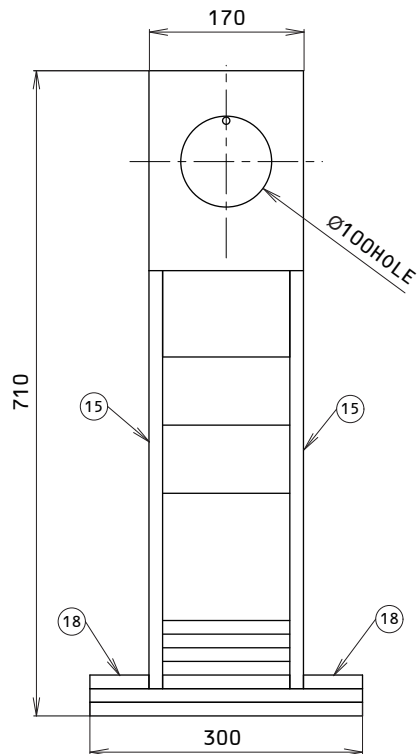


**Fostex**

[www.fostex.jp/products/fe108ns](http://www.fostex.jp/products/fe108ns)

In accordance with our policy of continuous development, we reserve the right to change specifications without notice Printed in China 632245

## Enclosure



※Please visit our website for more details.

# Enclosure

BOARD (2 sheet/1 pair) thickness : 15mm

