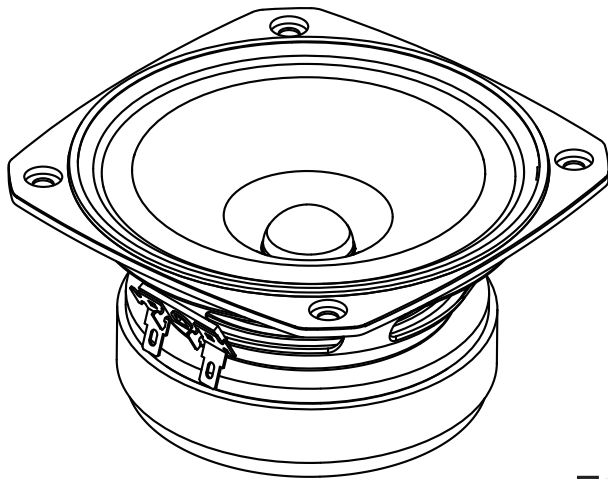




FE126NV

12cm Fullrange speaker unit



Specification Sheet

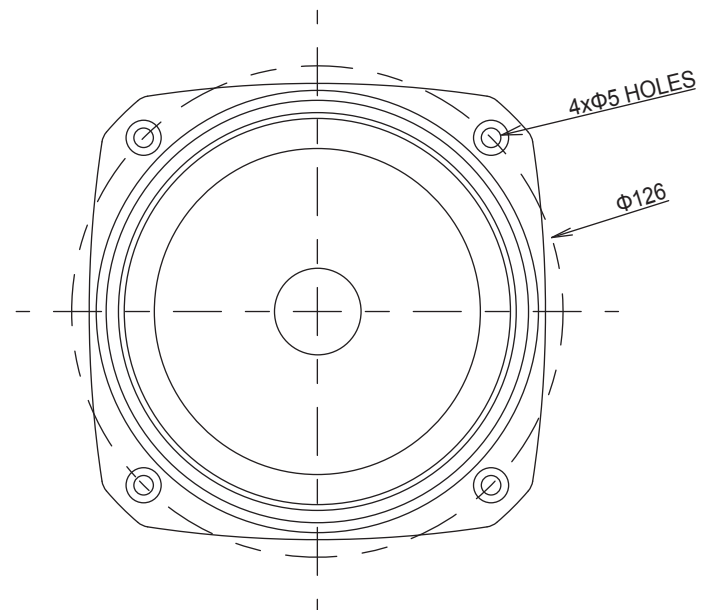
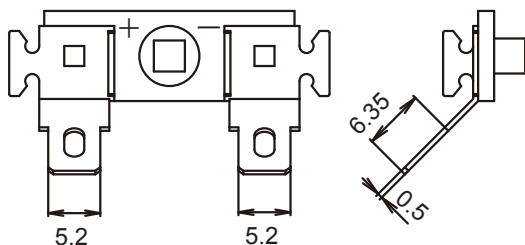
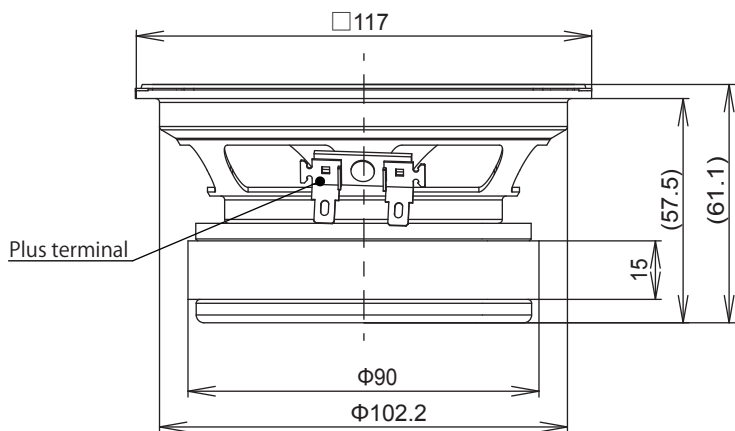


Fostex

www.fostex.jp/products/fe126nv

In accordance with our policy of continuous development, we reserve the right to change specifications without notice Printed in China 635307

Dimensions / Polarity



Standard Accessories

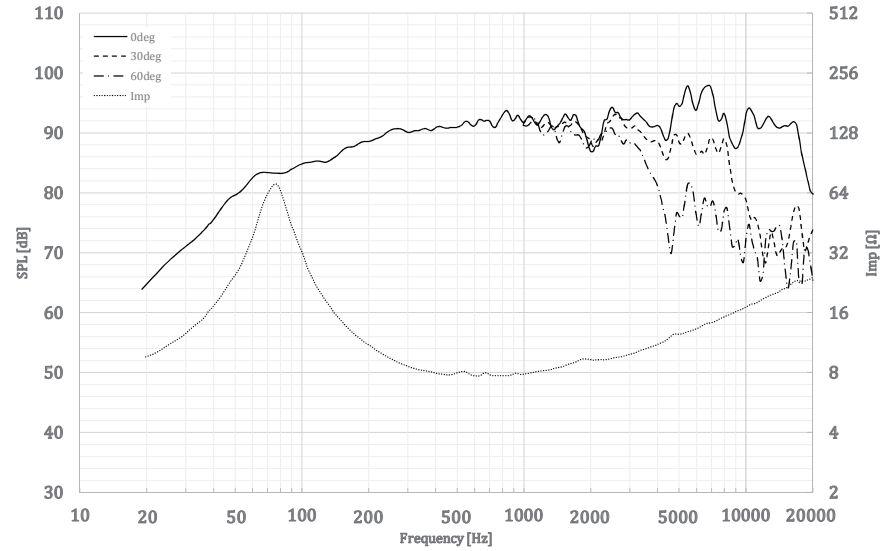
Speaker unit : 1pc	Specification sheet : 1pc
Screw : 4pcs	Application sheet : 1pc
Washer : 4pcs	Safety precautions : 1pc
Spacer : 1pc	Customer registration card : 1pc

Specifications & Thiele / Small Parameters

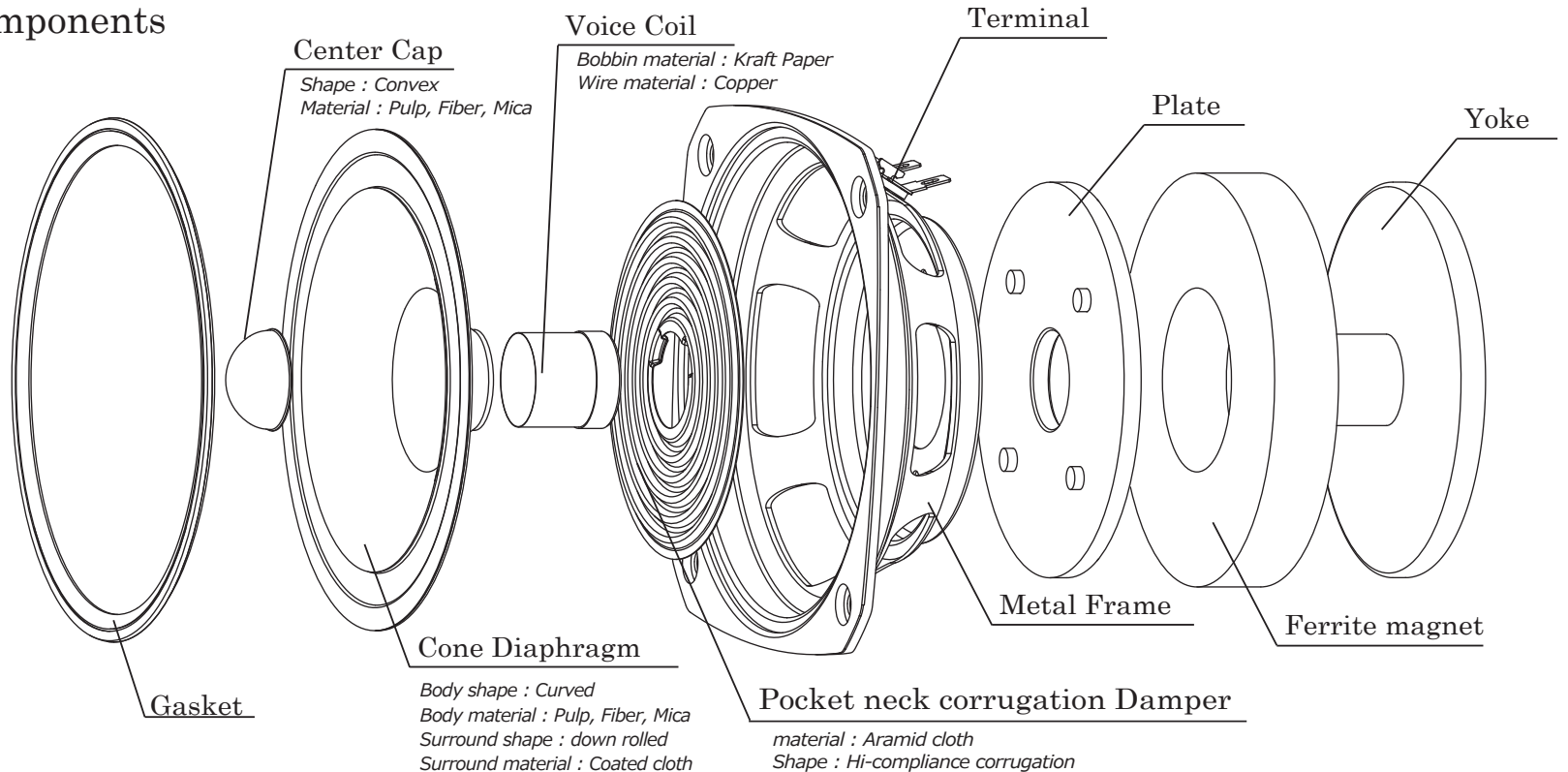
Frequency Response

FOSTER Electric Co.,Ltd semi-anechoic chamber
1/24th oct smoothing / Input 2.83V(1W) / mic distance 1m

Electrical Parameters	Nominal Impedance	8.0	ohm
	Re	7.1	ohm
	Le	0.2	mH
	fs (F0)	79.1	Hz
Mechanical Parameters	Mms (M0)	3.0	g
	Cms	1.4	mm/N
	Bl	5.3	N/A
Loss Factors	Qms	3.51	-
	Qes	0.37	-
	Qts (Q0)	0.34	-
Other Parameters	SPL (1m/1W)	92.0	dB
	Equivalent Diaphragm Radius (a)	46.0	mm
	Rated Input	15	W
	Max Input	45	W
	Overall Diameter	□117	mm
	Voice Coil Diameter	20	mm
	Reproduction Frequency Response	fs to 20k	Hz
	Vas	8.5	L
	Baffle Hole Diameter	Φ104	mm



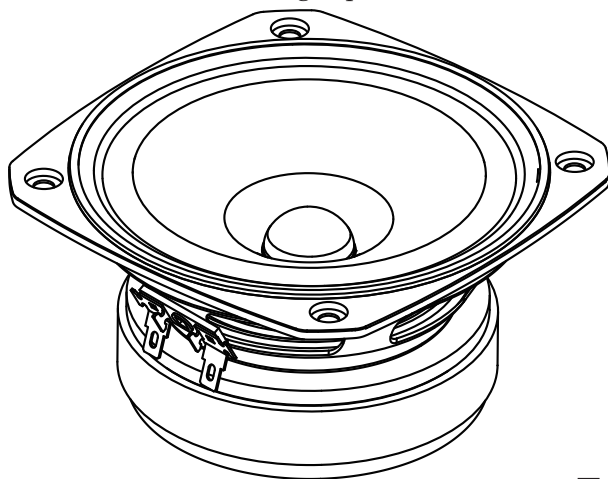
Components





FE126NV

12cm Fullrange speaker unit



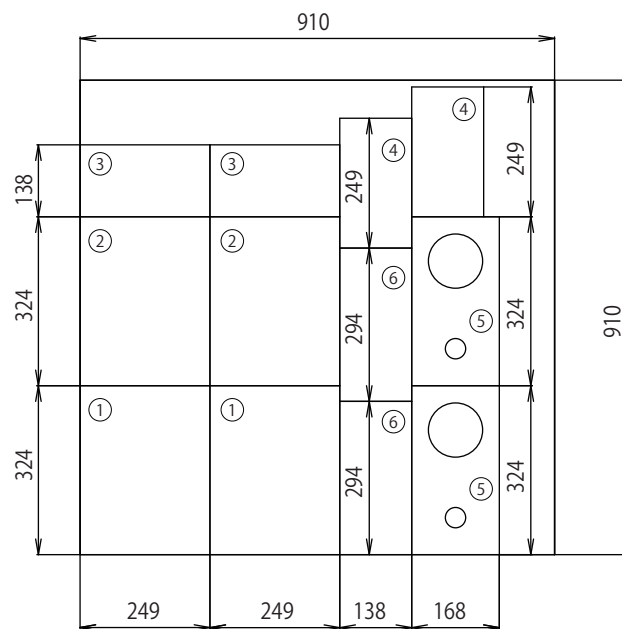
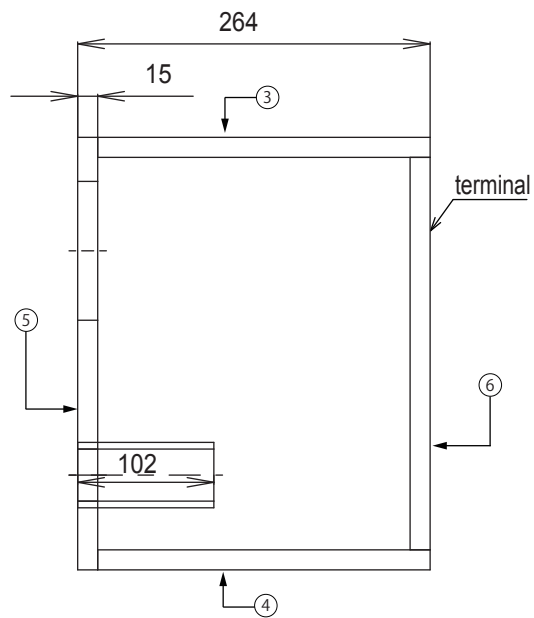
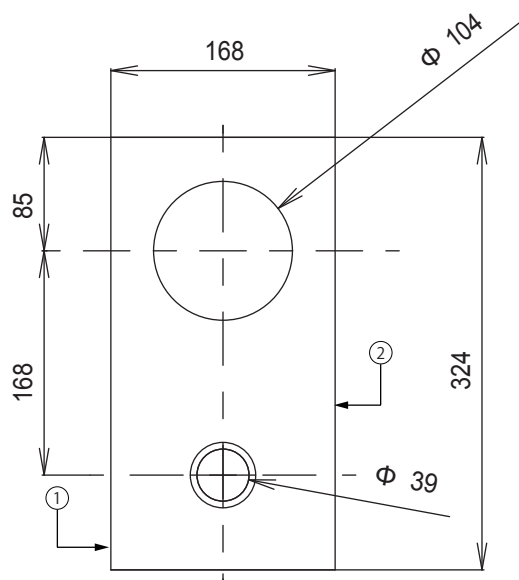
Application Sheet



www.fostex.jp/products/fe126nv

In accordance with our policy of continuous development, we reserve the right to change specifications without notice Printed in China 635308

Bass Reflex type Enclosure

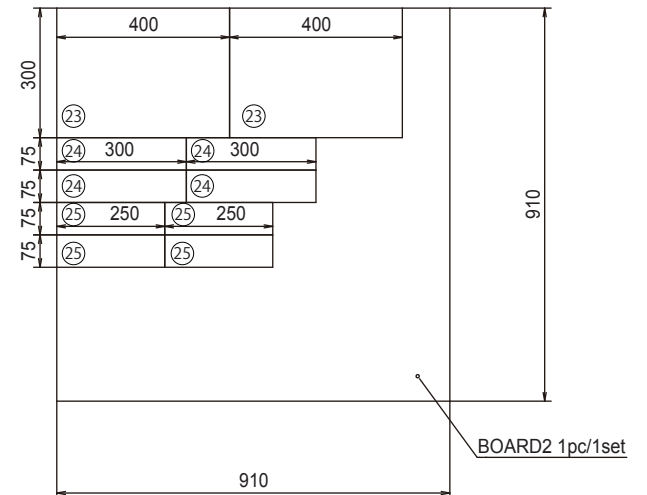
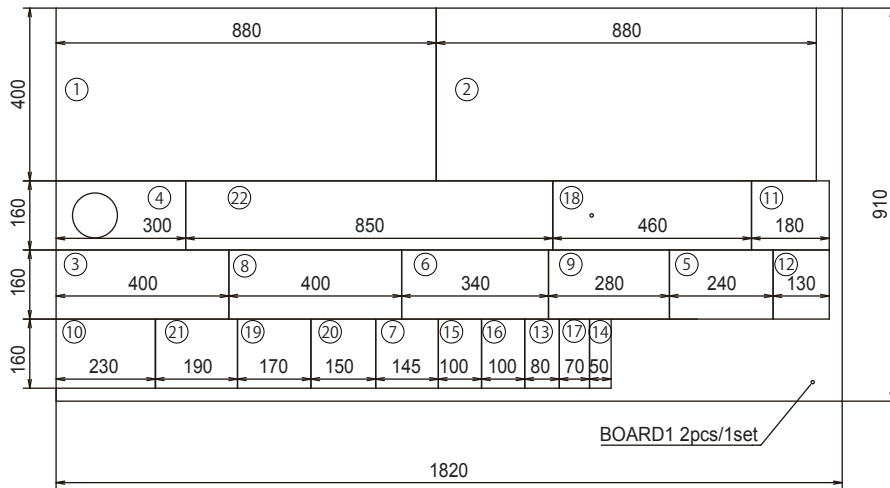
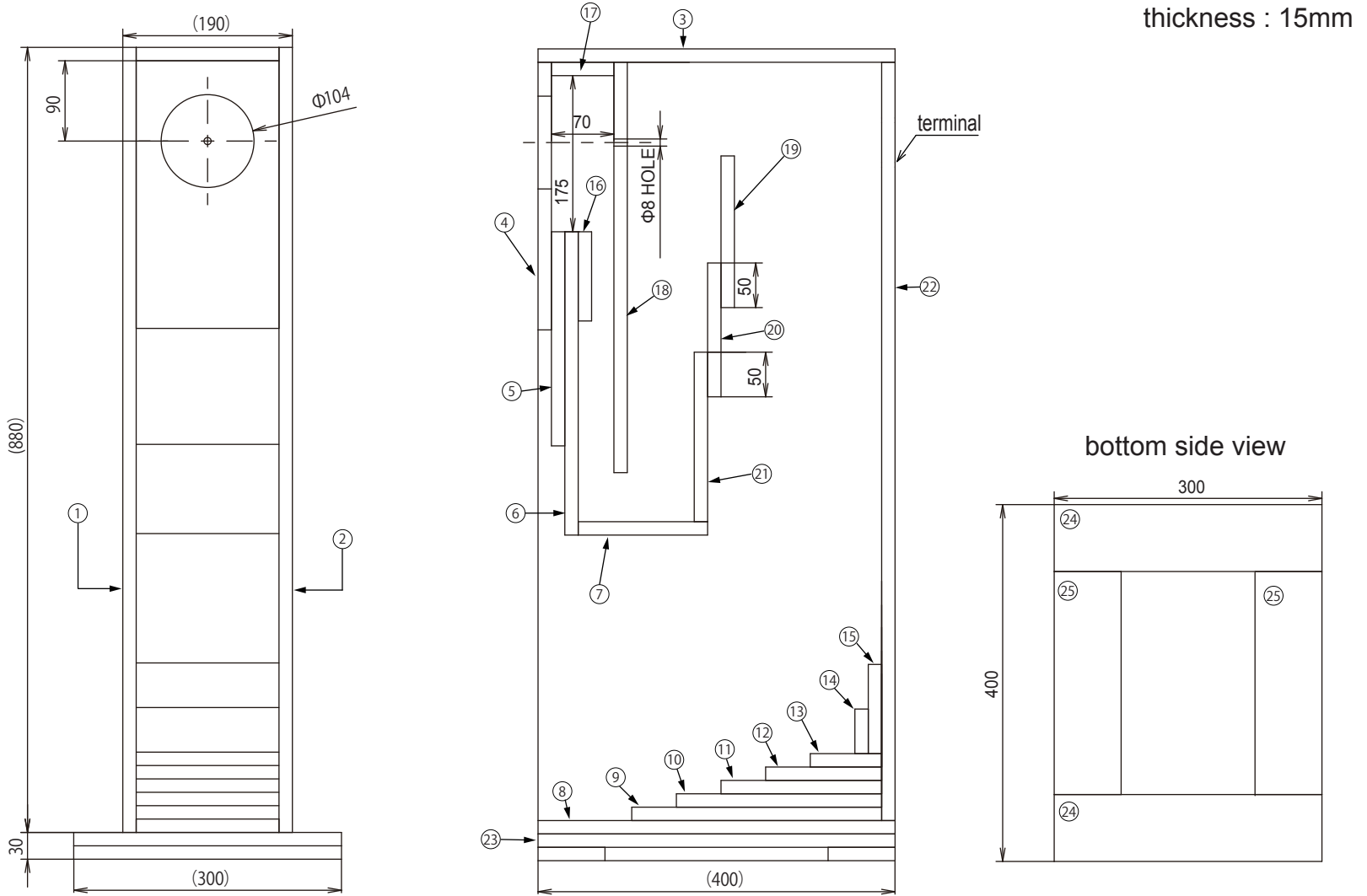


thickness : 15mm

※Please visit our website for more details.

Backloaded horn type Enclosure

thickness : 15mm



※ Please visit our website for more details.