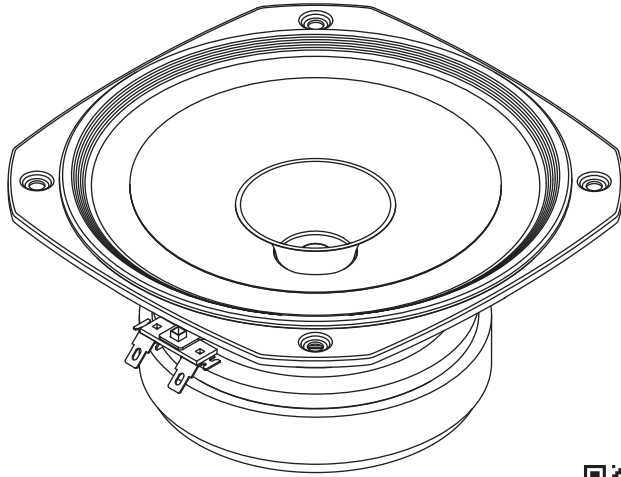




# FE166NV

16cm Fullrange speaker unit



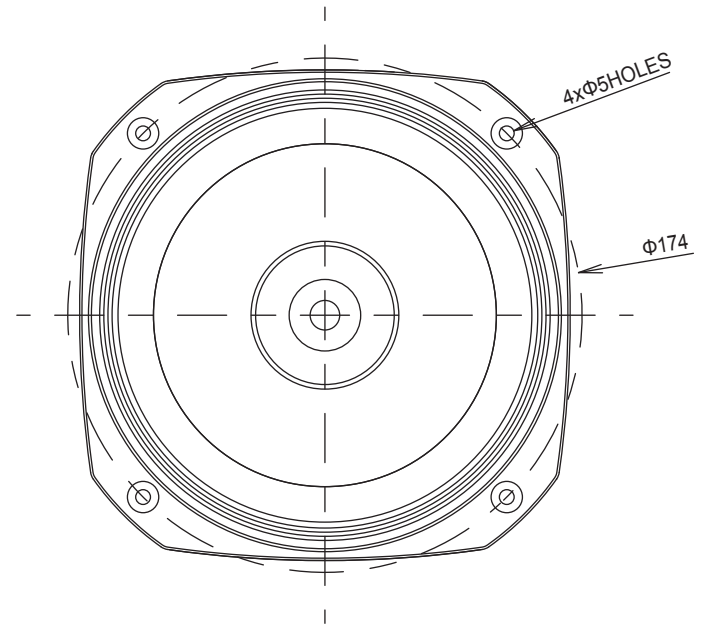
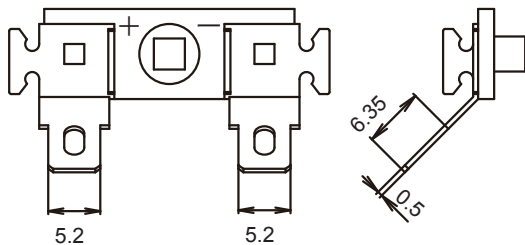
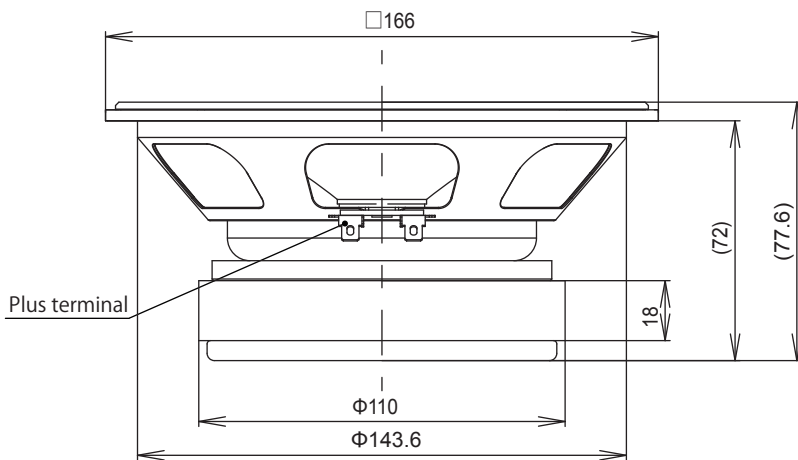
Specification Sheet



[www.fostex.jp/products/fe166nv](http://www.fostex.jp/products/fe166nv)

In accordance with our policy of continuous development, we reserve the right to change specifications without notice Printed in China 635309

## Dimensions / Polarity



## Standard Accessories

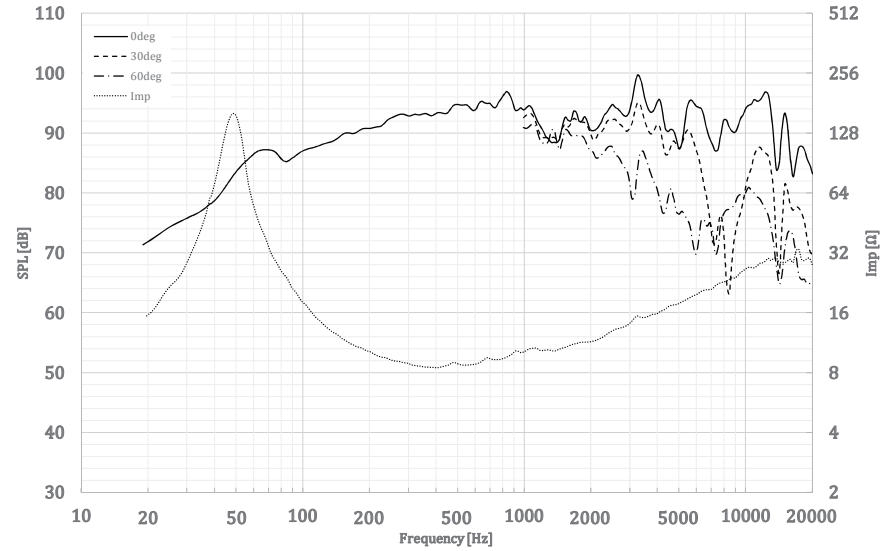
Speaker unit : 1pc	Specification sheet : 1pc
Screw : 4pcs	Application sheet : 1pc
Washer : 4pcs	Safety precautions : 1pc
Spacer : 1pc	Customer registration card : 1pc

# Specifications & Thiele / Small Parameters

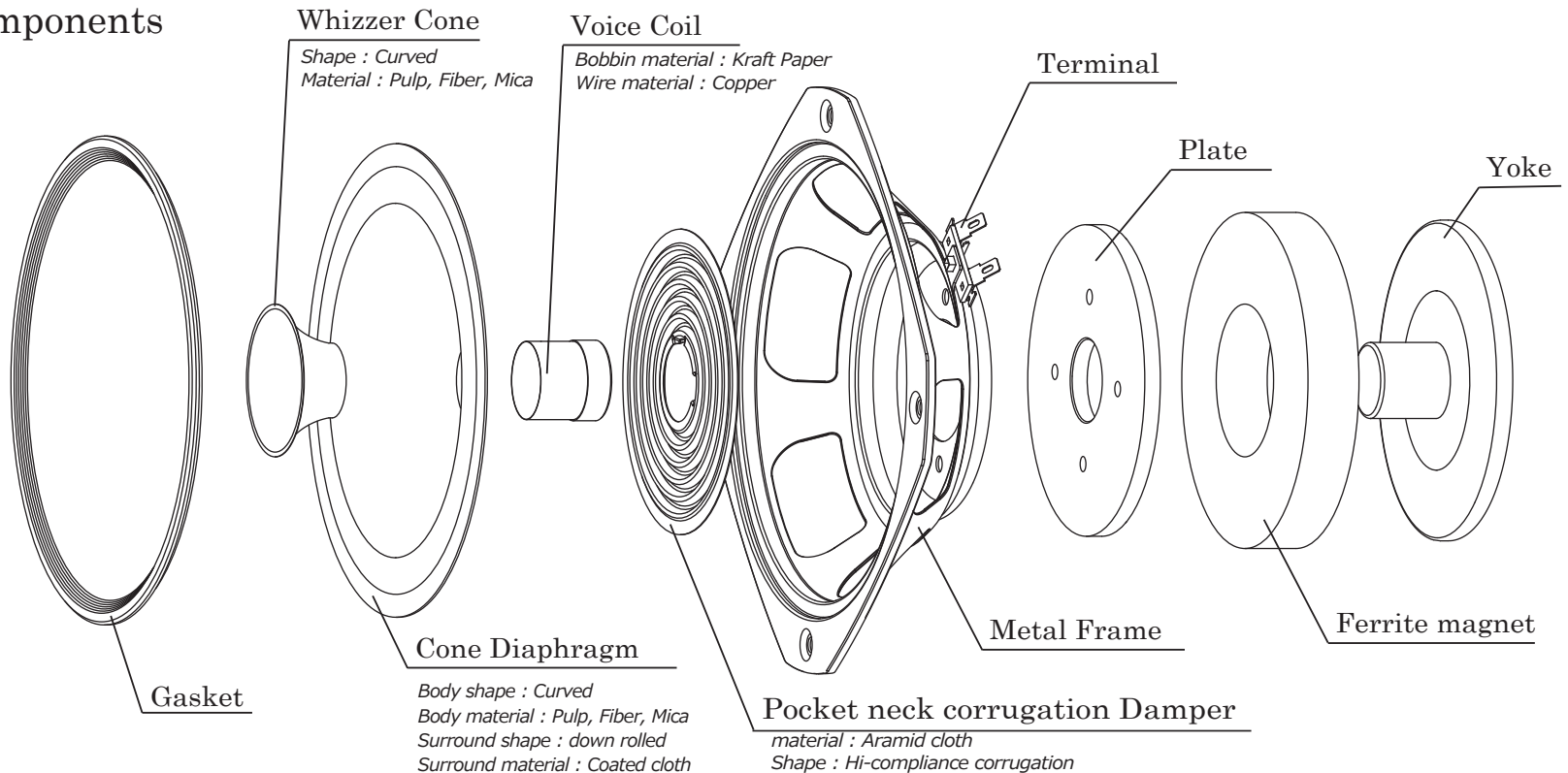
# Frequency Response

FOSTER Electric Co.,Ltd semi-anechoic chamber  
1/24th oct smoothing / Input 2.83V(1W) / mic distance 1m

Electrical Parameters	Nominal Impedance	8.0	ohm
	Re	7.8	ohm
	Le	0.8	mH
	fs (F0)	49.6	Hz
Mechanical Parameters	Mms (M0)	7.0	g
	Cms	1.5	mm/N
	Bl	7.7	N/A
Loss Factors	Qms	7.88	-
	Qes	0.28	-
	Qts (Q0)	0.27	-
Other Parameters	SPL (1m/1W)	94.0	dB
	Equivalent Diaphragm Radius ( a )	65.0	mm
	Rated Input	22	W
	Max Input	65	W
	Overall Diameter	□166	mm
	Voice Coil Diameter	25	mm
	Reproduction Frequency Response	fs to 20k	Hz
	Vas	36.9	L
Baffle Hole Diameter	Φ146	mm	



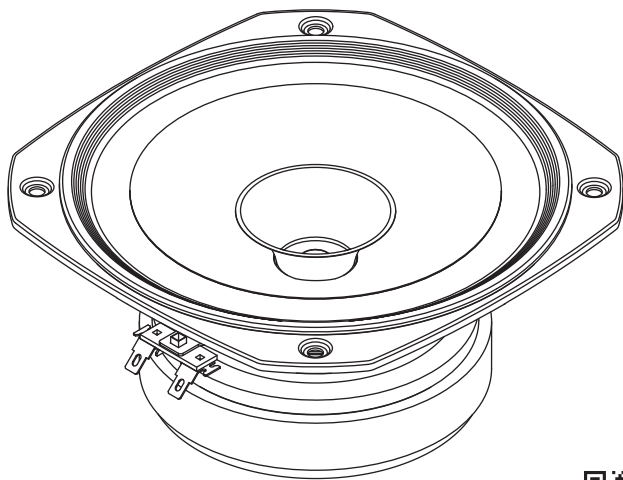
# Components





# FE166NV

16cm Fullrange speaker unit



# Fostex

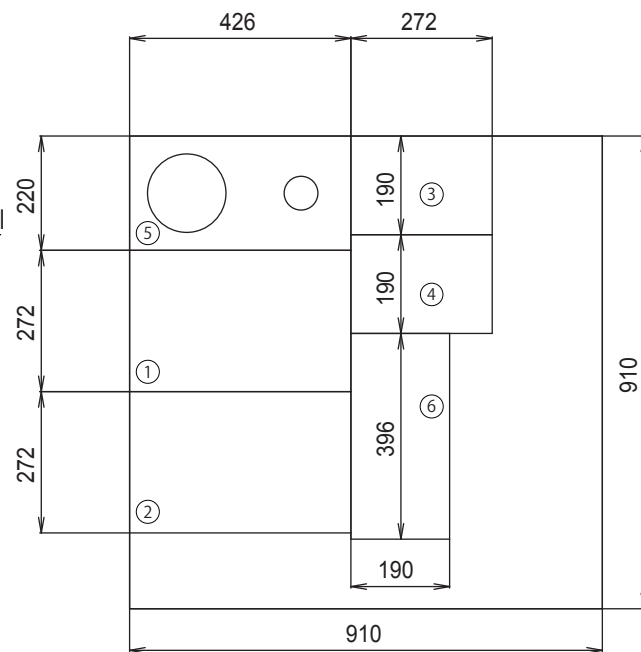
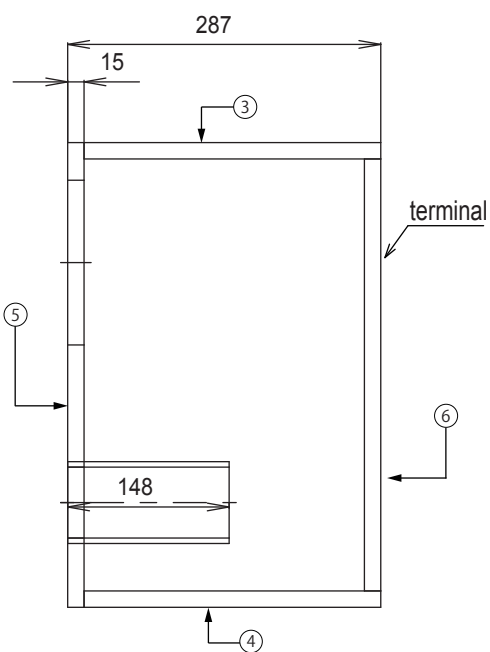
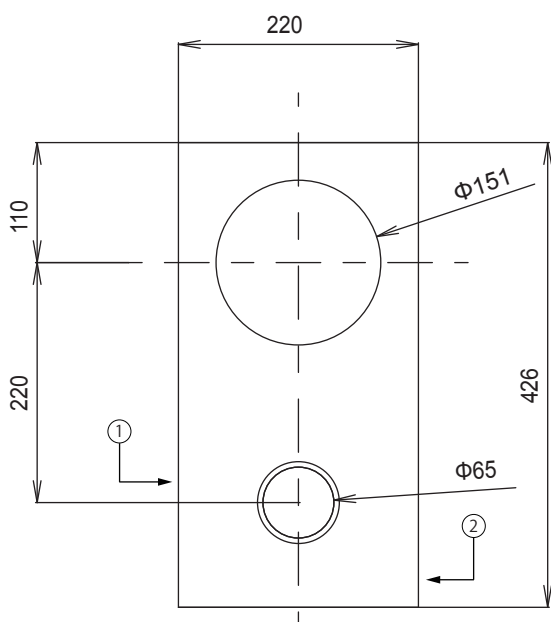
## Application Sheet



[www.fostex.jp/products/fe166nv](http://www.fostex.jp/products/fe166nv)

In accordance with our policy of continuous development, we reserve the right to change specifications without notice Printed in China 635310

## Bass Reflex type Enclosure

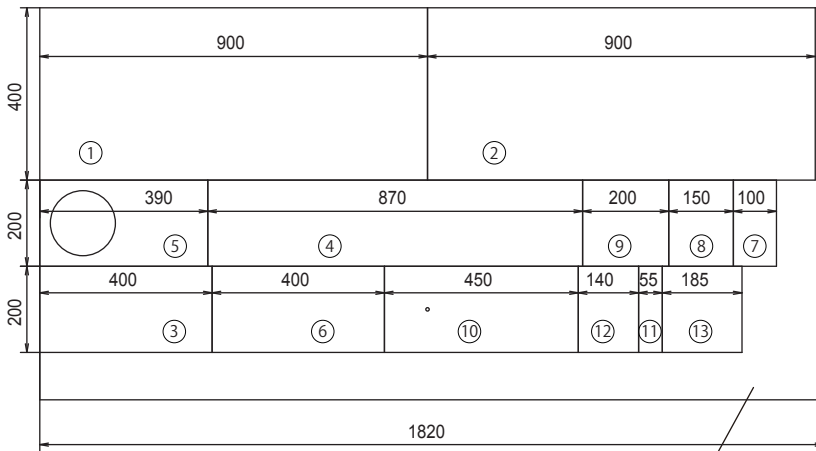
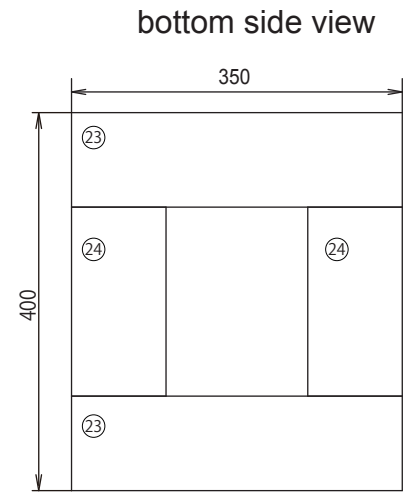
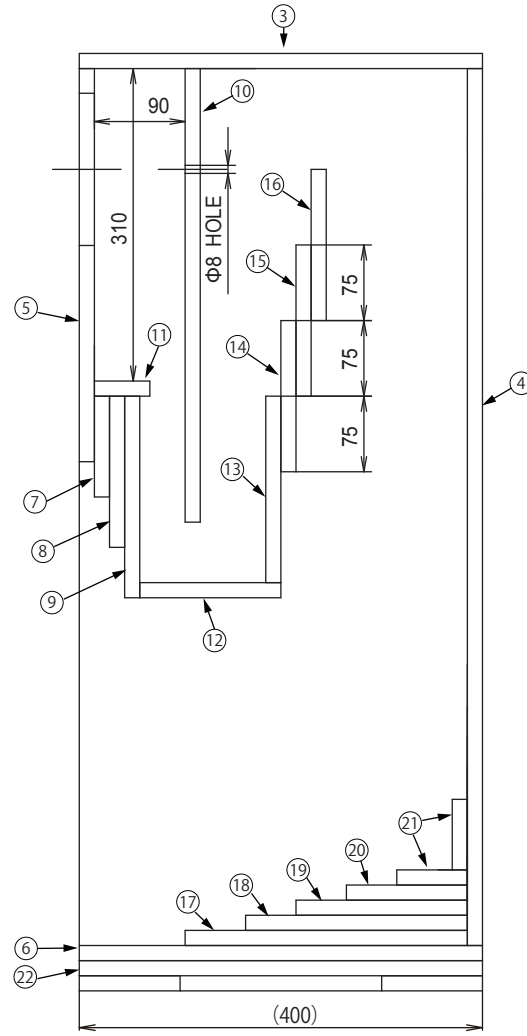
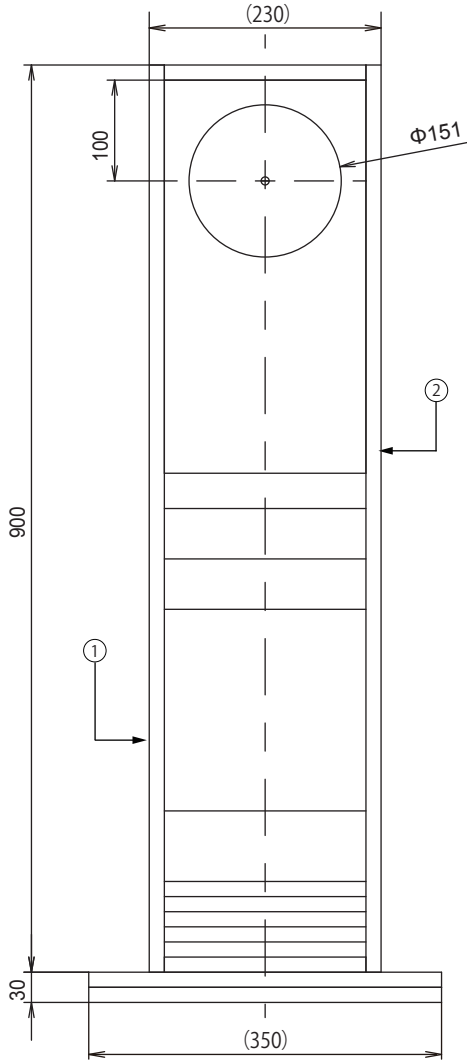


thickness : 15mm

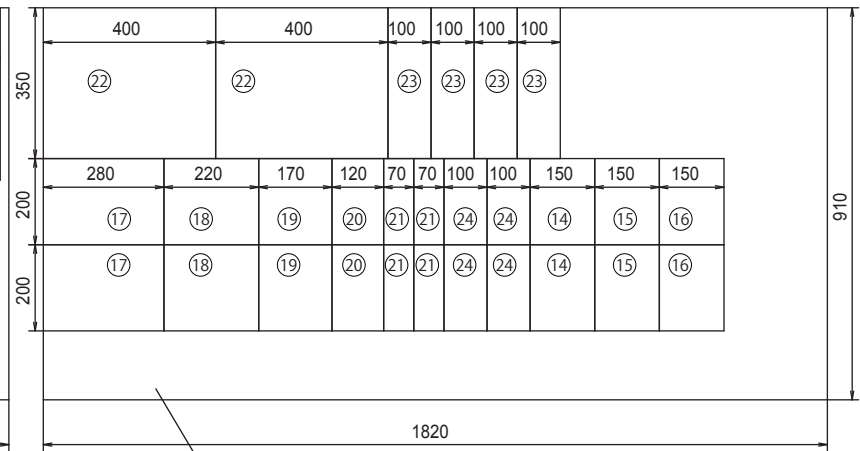
※Please visit our website for more details.

# Backloaded horn type Enclosure

thickness : 15mm



BOARD1 2pcs/1set



BOARD2 1pc/1set

※ Please visit our website for more details.