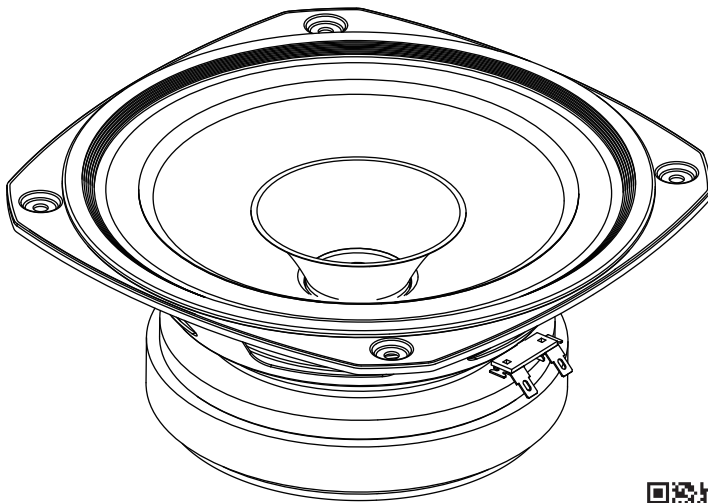


**Fostex**

# FE206NV

20cm Fullrange speaker unit

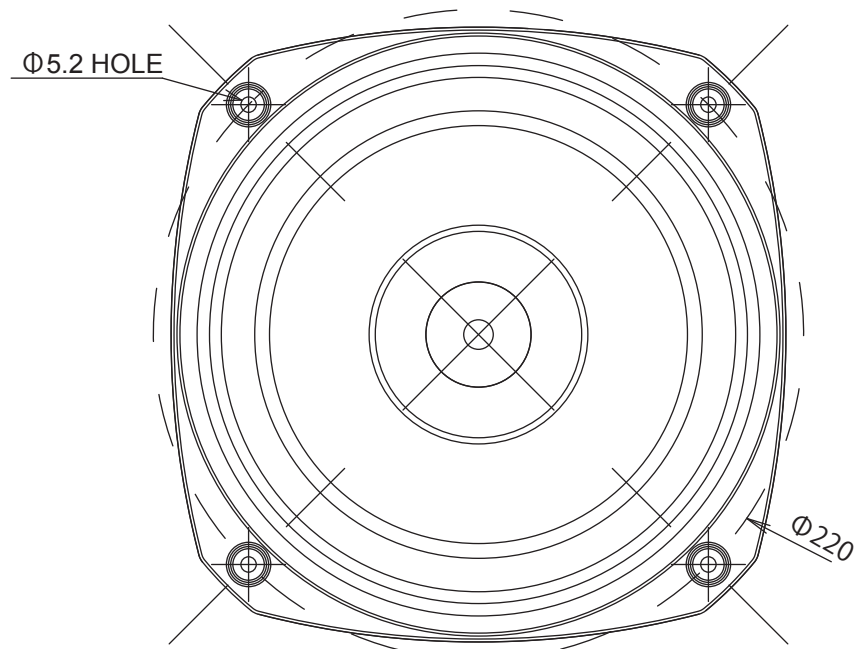
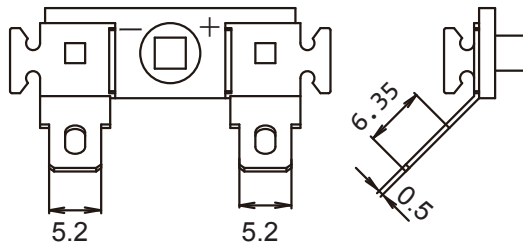
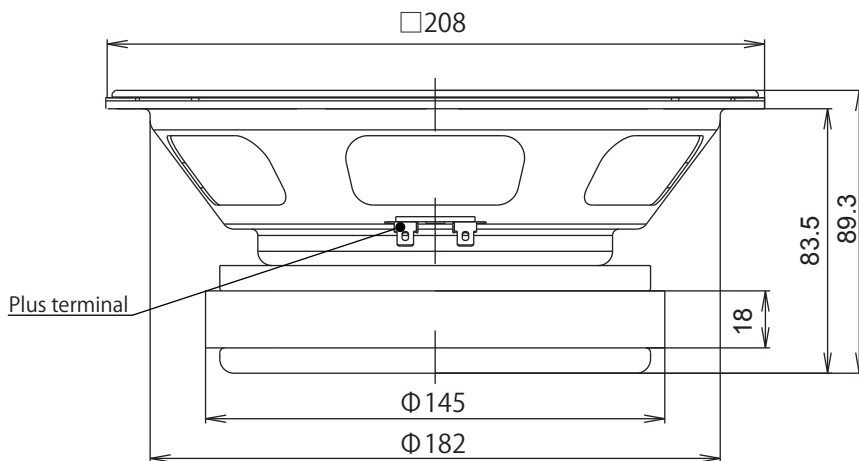


Specification Sheet

**Fostex**[www.fostex.jp/products/fe206nv](http://www.fostex.jp/products/fe206nv)

In accordance with our policy of continuous development, we reserve the right to change specifications without notice Printed in China 638119

## Dimensions / Polarity



## Standard Accessories

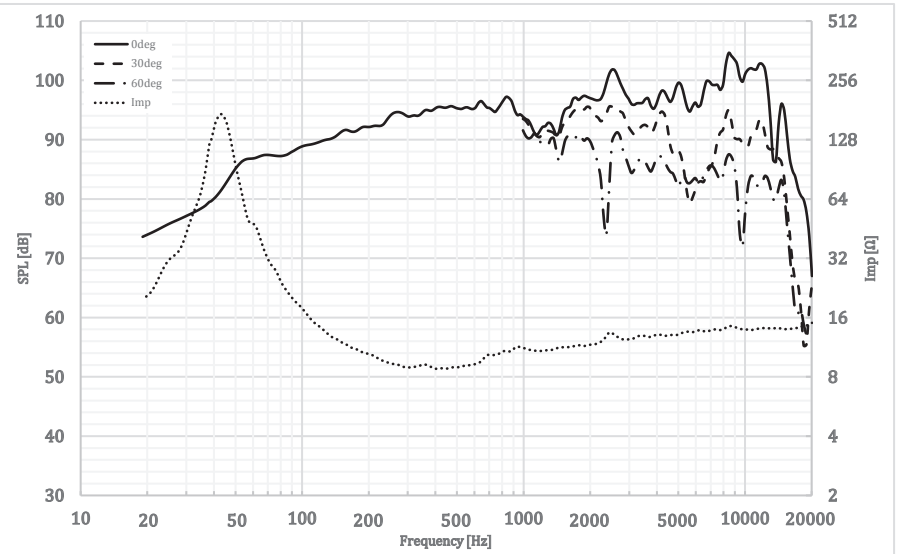
Speaker unit : 1pc	Specification sheet : 1pc
Screw : 4pcs	Application sheet : 1pc
Washer : 4pcs	Safety precautions : 1pc
Spacer : 1pc	Customer registration card : 1pc

# Specifications & Thiele / Small Parameters

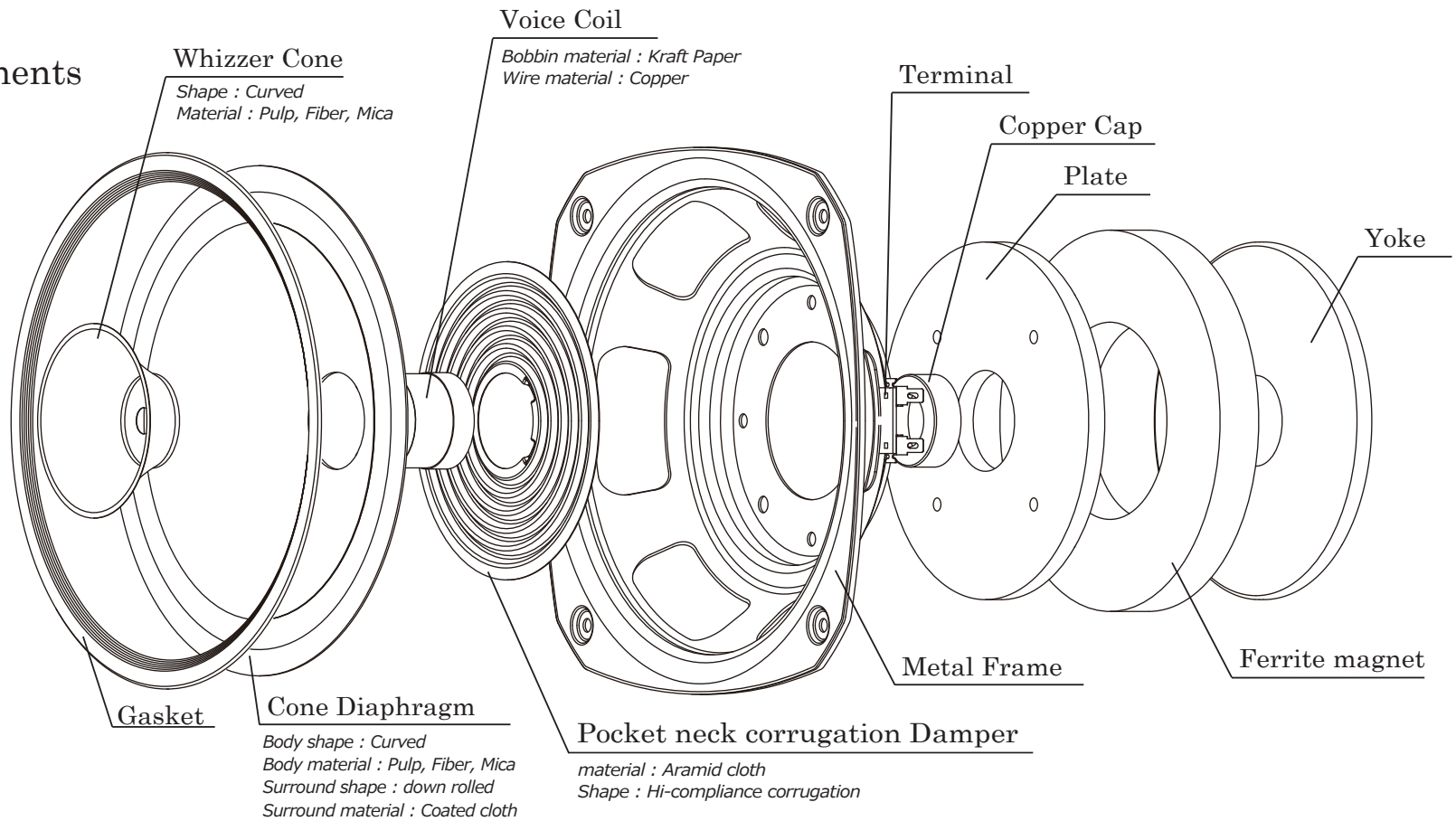
# Frequency Response

Electrical Parameters	Nominal Impedance	8.0	ohm
	Re	7.2	ohm
	Le	0.1	mH
	fs (F0)	44.7	Hz
Mechanical Parameters	Mms (M0)	15.2	g
	Cms	0.8	mm/N
	Bl	10.7	N/A
Loss Factors	Qms	7.25	-
	Qes	0.27	-
	Qts (Q0)	0.26	-
Other Parameters	SPL (1m/1W)	96	dB
	Equivalent Diaphragm Radius ( a )	81.0	mm
	Rated Input	30	W
	Max Input	90	W
	Overall Diameter	□208	mm
	Voice Coil Diameter	35	mm
	Reproduction Frequency Response	fs to 18k	Hz
	Vas	50.2	L
Baffle Hole Diameter	Φ185	mm	

FOSTER Electric Co.,Ltd semi-anechoic chamber  
1/24th oct smoothing / Input 2.83V(1W) / mic distance 1m



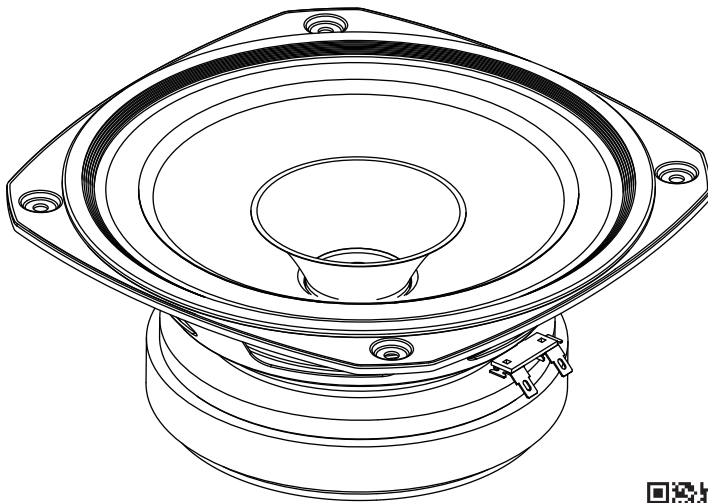
## Components



**Fostex**

# FE206NV

20cm Fullrange speaker unit



Application Sheet

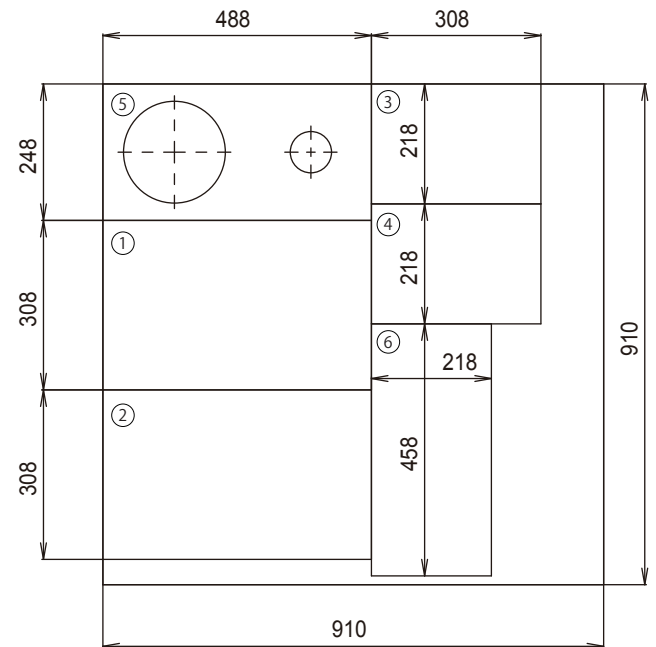
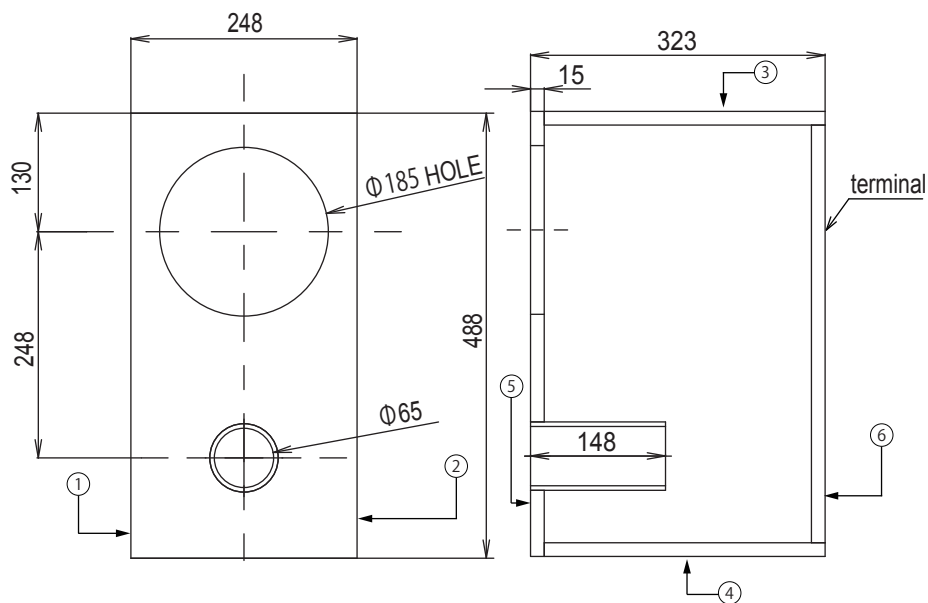


**Fostex**

[www.fostex.jp/products/fe206nv](http://www.fostex.jp/products/fe206nv)

In accordance with our policy of continuous development, we reserve the right to change specifications without notice Printed in China 638120

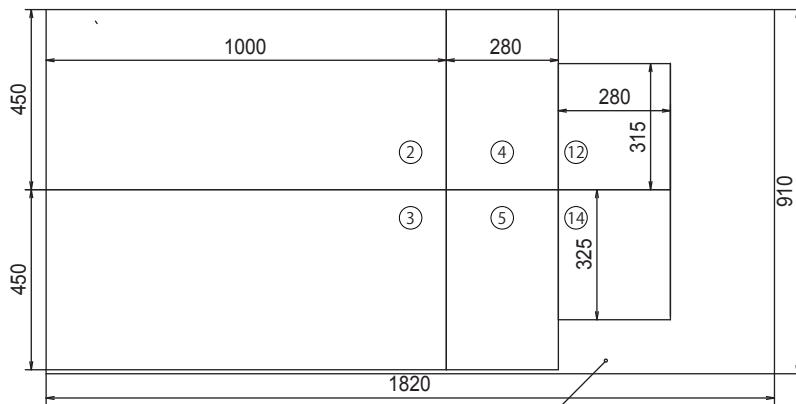
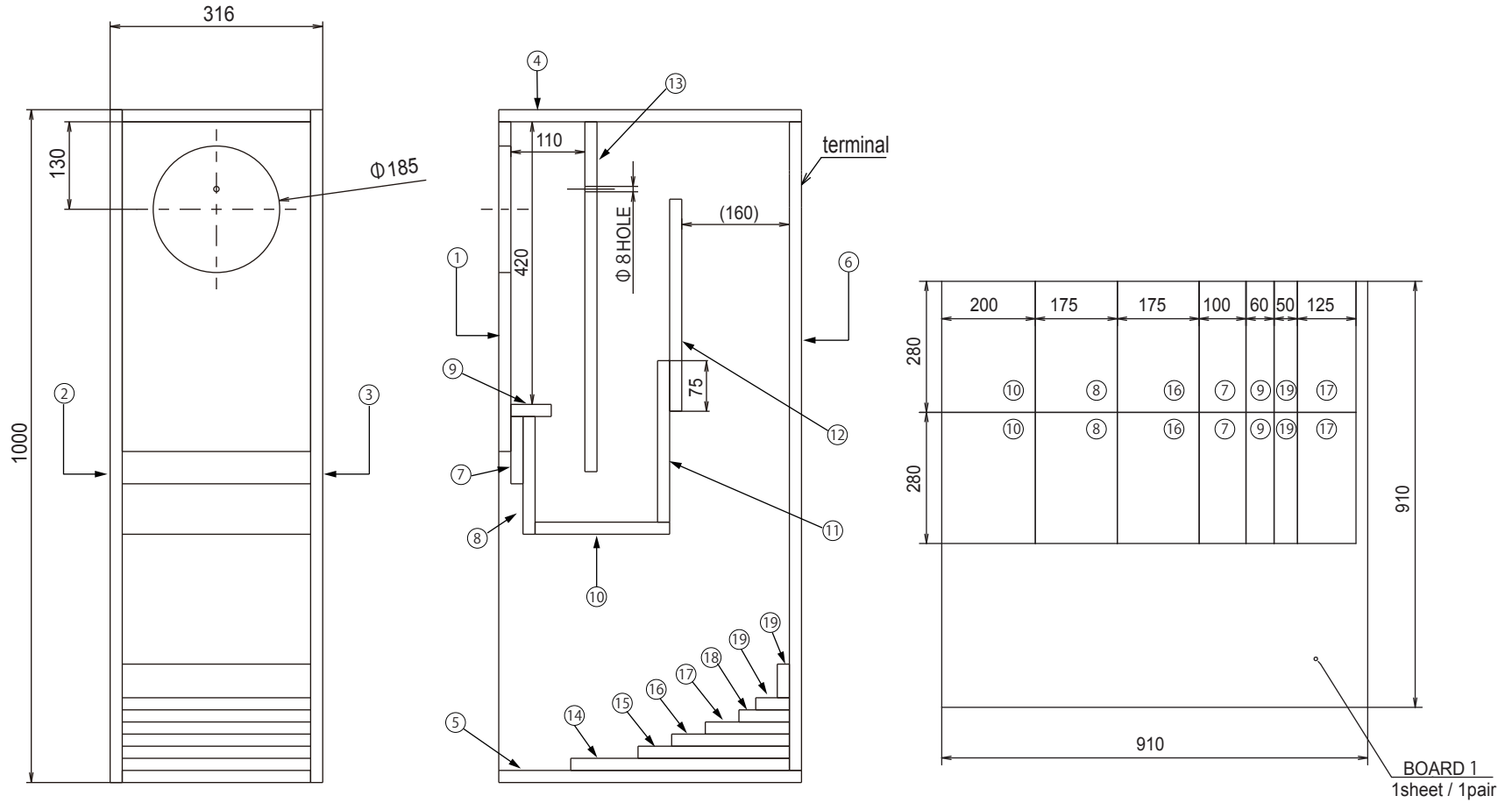
## Bass Reflex type Enclosure



thickness : 15mm

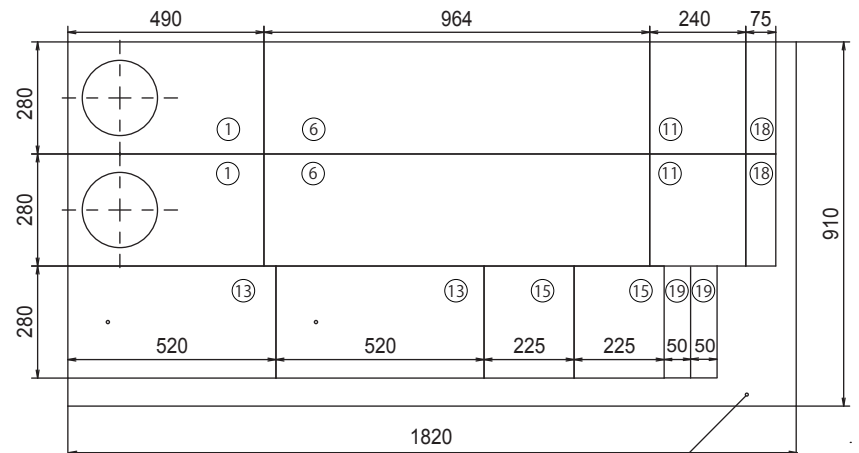
※Please visit our website for more details.

# Backloaded horn type Enclosure



thickness : 18mm

BOARD 2  
2sheets / 1pair



BOARD 3  
1sheet / 1pair

※Please visit our website for more details.