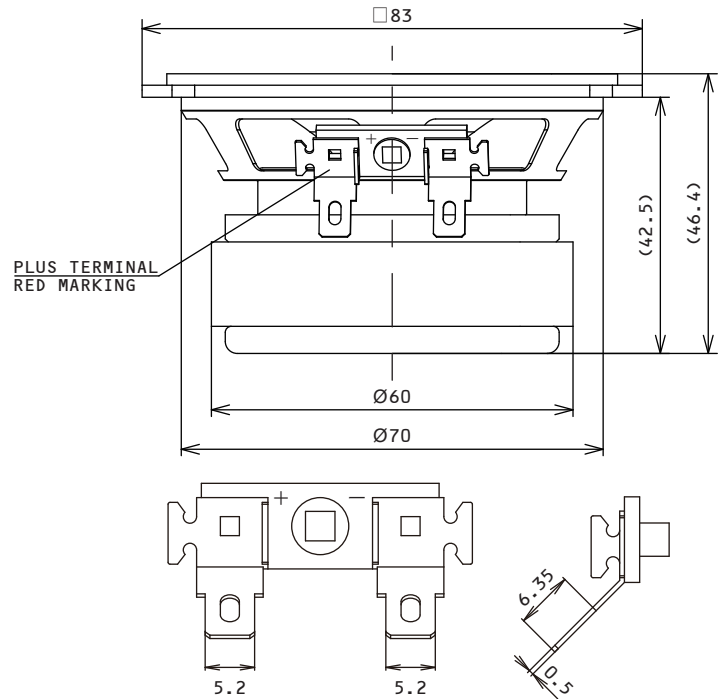
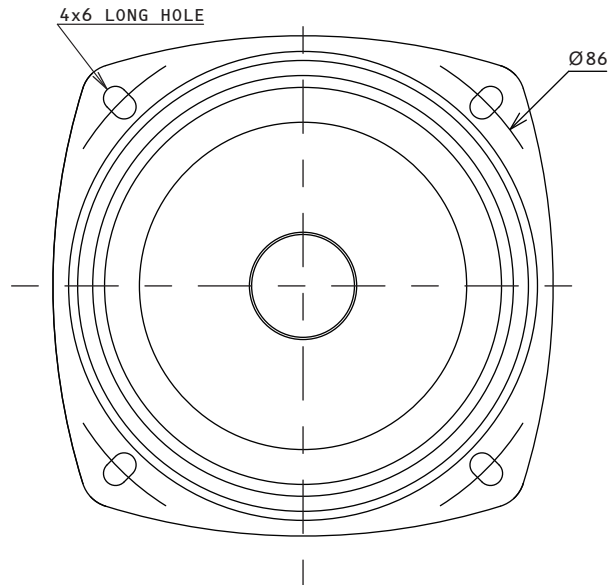


**Fostex**

8cm Fullrange speaker unit  
**FE83NV2**

**Specification Sheet**

Dimensions / Polarity



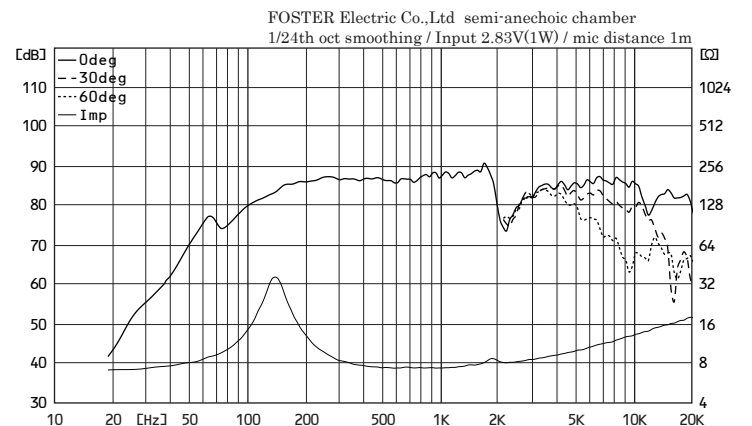
Standard Accessories

Speaker unit : 1pc	Safety precautions : 1pc
Screw : 4pcs	
Washer : 4pcs	
Spacer : 1pc	

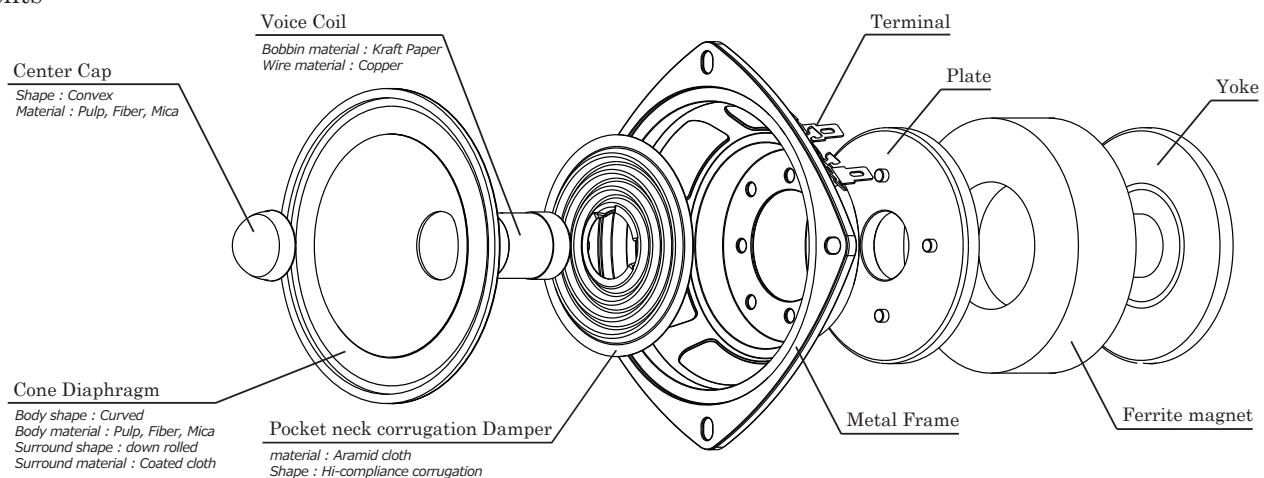
Specifications & Thiele / Small Parameters

Electrical Parameters	Nominal Impedance	8.0	ohm
	Re	7.1	ohm
	Le	0.1	mH
	fs (F0)	149.7	Hz
Mechanical Parameters	Mms (M0)	1.4	g
	Cms	0.8	mm/N
	Bl	3.2	N/A
Loss Factors	Qms	4.21	-
	Qes	0.96	-
	Qts (Q0)	0.78	-
Other Parameters	SPL (1m/1W)	87.5	dB
	Equivalent Diaphragm Radius (a)	30.0	mm
	Rated Input	5	W
	Max Input	15	W
	Overall Diameter	□83	mm
	Voice Coil Diameter	16	mm
	Reproduction Frequency Response	fs to 22k	Hz
	Vas	0.9	L
	Baffle Hole Diameter	Φ73	mm

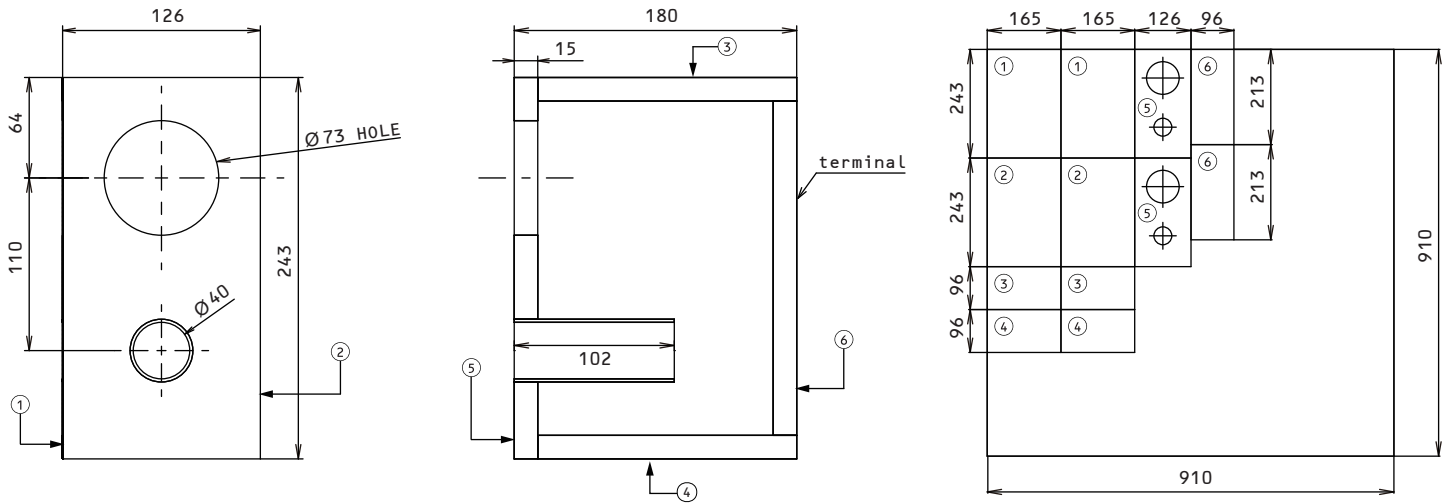
Frequency Response



Components



#### Bass Reflex type Enclosure



#### Spiral horn type Enclosure

thickness : 12mm

