



PT20K

Features

- * PT20K is the recommendable tweeter for beginners of 2-way system building.
- * Combination with the sensitivity matched woofer PW80K, 2-way system is easy of assembling without tweeter level attenuation.
- * UFLC soft dome diaphragm is light weight and has the high internal loss. Its extended high frequency characteristics realizes the flat response of music playback.
- * Low distortion ferrite magnet circuit is employed. The copper cap equipped magnetic circuit reduces the harmonic distortion and brings the clear sound.
- * The magnetic fluid filled gap centers and controls voice coil excursion. It makes crossover setting in low frequency and offers wide woofer selection. Input durability is also enhanced.



Specifications & Thiele/Small Parameters

Size : 20mm / 0.79"

Voice Coil Diameter

: 20.4 mm / 0.8"

Frame Material : ABS

Impedance : 8Ω

Reproduction Frequency Response

: 3kHz to 32kHz

Recommended Crossover Frequency

: <3kHz

Sound Pressure Level

: 84dB/W(m)

Rated Input : 5W

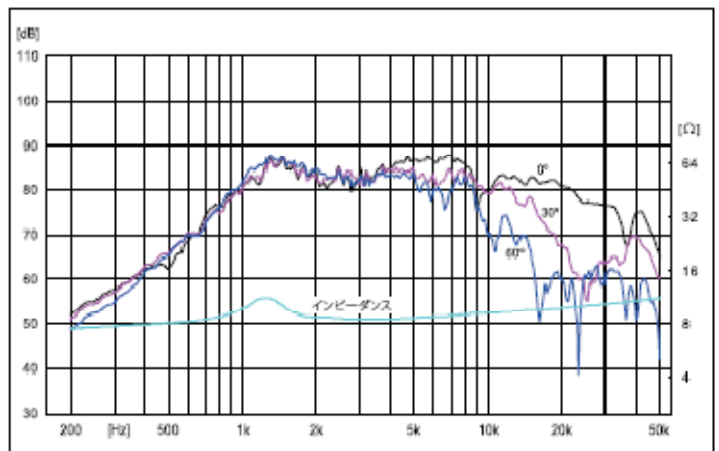
Music Power : 15W

Magnet Material : Ferrite

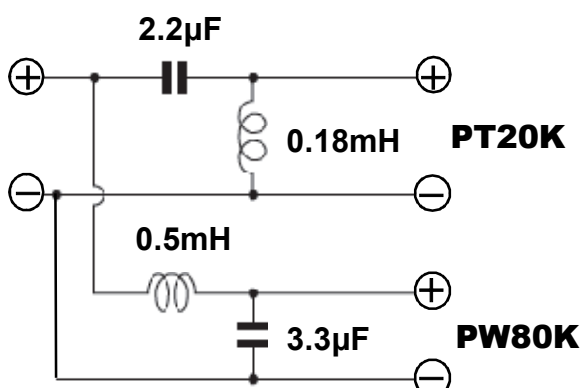
Magnet Weight : 70g / 0.15lb

Net Weight : 194g / 0.42lb

Frequency Response

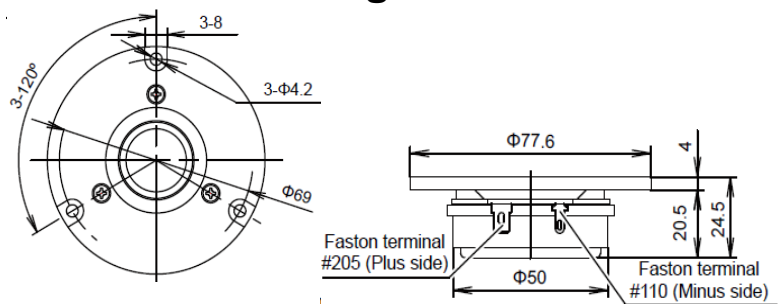


Configuration Example



Dimensions

/ Mounting Information



Overall Diameter : 77.6mm / 3.05"

Baffle Hole Diameter : 60mm / 2.36"

Depth : 20.5mm / 0.81"